

17607 UNIVERSAL A/C FLUSH FITTING KIT

⚠ WARNING ⚠



• **Wear protective equipment, including safety goggles, when working with refrigerants and solvents. Refrigerants and solvents can cause injuries.**

- **Do not use any solvent containing alcohol, lacquer thinner, brake cleaner, or any other non-approved solvent.**
- **Do not look into the component to observe air flow - injury may result!**
- **Equipment must be operated by qualified personnel. Operator must be familiar with air conditioning and refrigeration systems, solvents, and the dangers of pressurized components.**
- **The operator is responsible for complying with any and all applicable laws and regulations governing the use of this equipment, as well as the disposal of used solvents, oil, equipment, and components.**

These instructions are intended as guidelines for general operation of the Universal Flush Fitting Kit. Follow the vehicle manufacturer's instructions for flushing A/C systems.

The clamp assemblies and support plates included in this kit can be installed on most A/C line or tube ends for attachment of the flushing apparatus being used.

The support plates are slotted to allow for different size tubes or line nuts to be supported against the lower end of the sealing clamp. The chamfered area on the support plates allow the flared end of the tubes to sit level. This way the sealing cone can be seated without slipping or damaging the end of the tube.

Seating of the sealing cone into the fittings or tube ends does not require the use of wrenches or other tools. Sealing cones damaged by tools must be replaced.

Included in this Kit:

- (2) Clamp Assembly
- (2) Support Plate (1/2" OD tube)
- (2) Support Plate (5/8" OD tube)
- (2) Support Plate (3/4" OD tube)
- (2) Support Plate (7/8" OD tube)
- (2) Support Plate (No slot)



Toll-free Technical Support Line:
1-800-822-5561
in the U.S. and Canada
In all other locations, contact your local distributor.

Because of ongoing product improvements, we reserve the right to change design, specifications, and materials without notice.

Installation of the Sealing Cone:

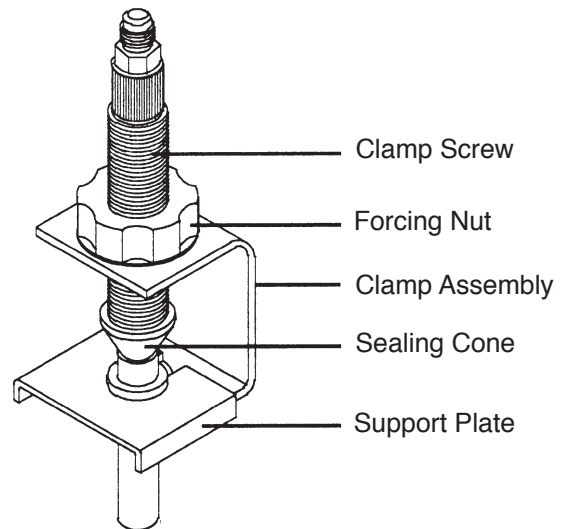
1. After selecting the correct support plate to fit the tube or line fitting, tighten the clamp screw until the cone is seated tightly against the end of the tube or line fitting on the A/C component.
2. While holding the clamp screw by hand, rotate the forcing nut an additional 1/8 to 1/4 turn. This provides a leak-tight seal for the flushing operation.

To remove the clamp assembly, hold the clamp screw and back off the forcing nut to free up the sealing cone without damaging the end of the cone.

When using adapters on a tube or fitting that is too small for the sealing cone to enter, replace the cone-shaped seal with the concave seal.

To replace the sealing cone, hold the forcing nut and back out the clamp screw until the cone is pulled out the end of the clamp screw. Insert the desired sealing cone into the end of the clamp screw, and tighten the screw until the cone bottoms in the screw, using the non-slotted support plate against the end of the cone.

CAUTION : Do NOT use pliers or other tools to twist the sealing cone out of the clamp screw, because it could damage the sealing cone.



ROBINAIR®

655 Eisenhower Drive
Owatonna MN 55060
Customer Service: 1-800-533-6127
Fax : 1-800-322-2890
Technical Service : 1-800-822-5561
Fax : 1-866-259-1241
www.robinair.com